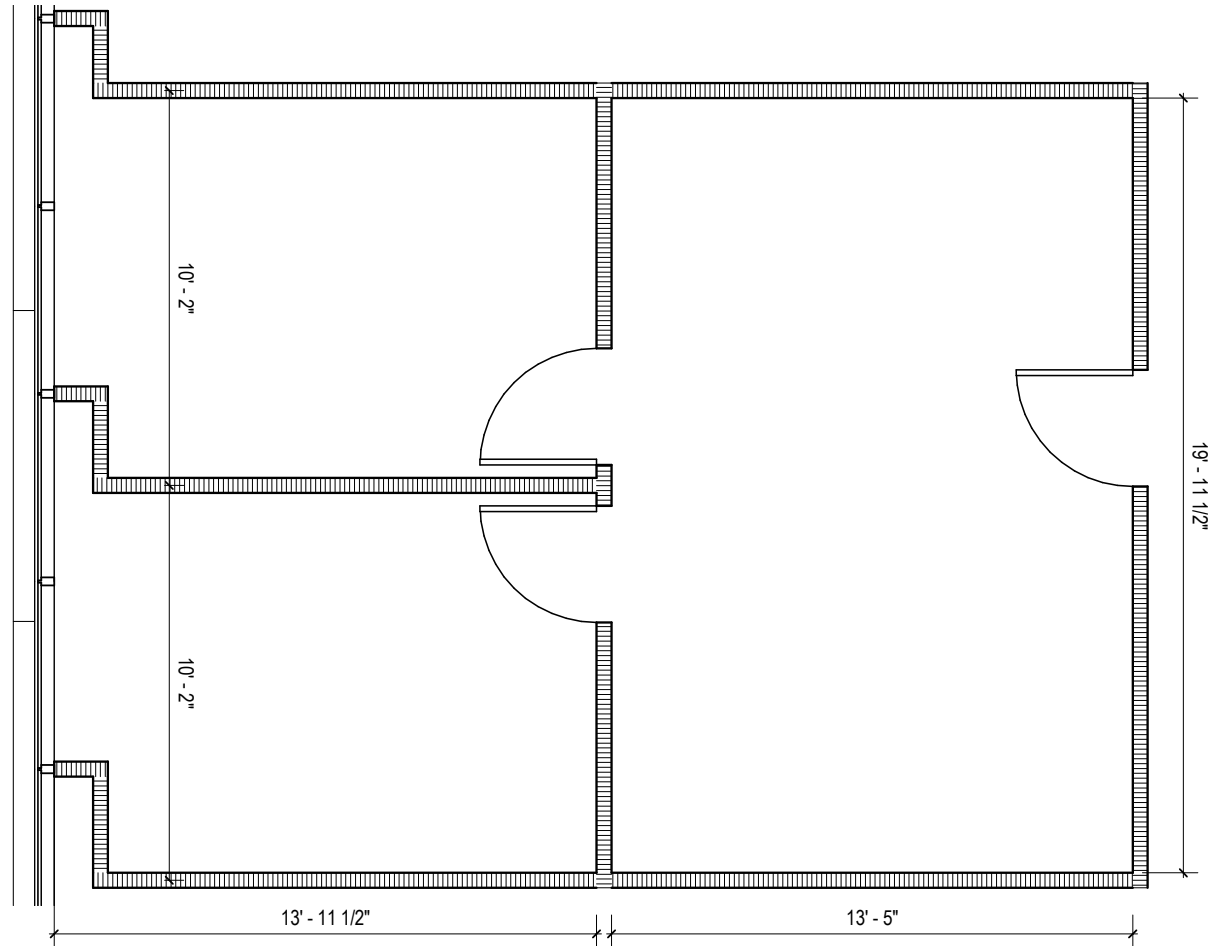
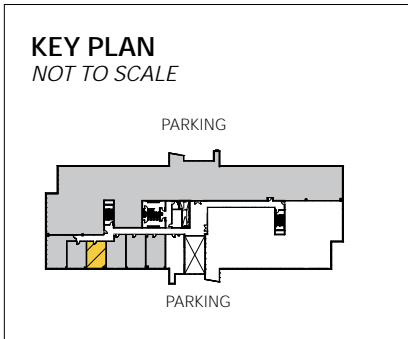




**Total SF Available:**  
668 SF







**Distances to:**

- Interstate 215 ..... 25 miles
- Provo, UT ..... 12 miles
- Salt Lake City, UT ..... 34.5 miles
- Salt Lake City International Airport ..... 38 miles



Scan with your mobile device to take a virtual tour, download floor plans and more!

# Contact Us

For additional leasing information or to schedule a tour, contact:

**Scott Giord**  
*Leasing Representative*  
 sgiord@sjpiutah.com  
 801.899.7991

**Daniel Thomas**  
*Regional Partner, Utah*  
 dthomas@sjpiutah.com  
 801.899.7991

**Utah Office:**  
 1982 W Pleasant Grove Boulevard | Suite D  
 Pleasant Grove, Utah 84062

801.899.7991 | THEVALLEYGROVE.COM



**About St. John Properties**

St. John Properties, Inc. is a full-service real estate company headquartered in Baltimore, Maryland. The company owns, manages and has developed more than 21 million square feet of commercial real estate, including office, ex/R&D, warehouse, retail and residential space.

Connect with us @stjohnprop



This information contained in this publication has been obtained from sources believed to be reliable. St. John Properties makes no guarantee, warranty or representation about this information. Any projections, opinions, assumptions or estimates used here are for example only and do not represent the current or future performance of the property. Interested parties should conduct an independent investigation to determine whether the property suits their needs. REV 08/21