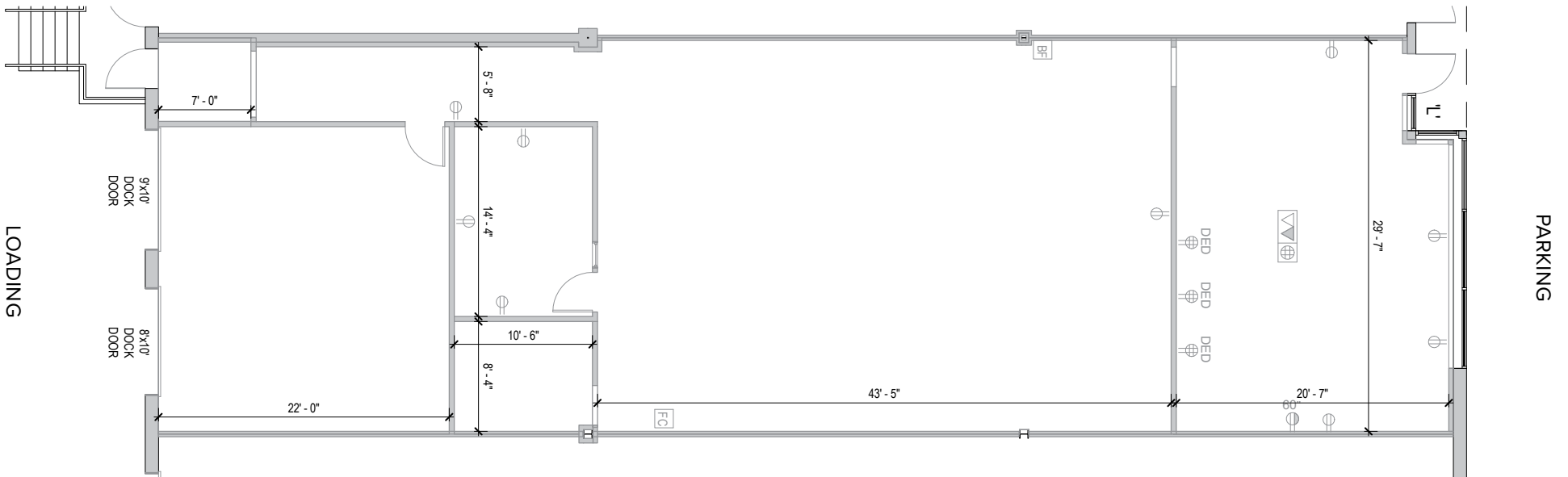
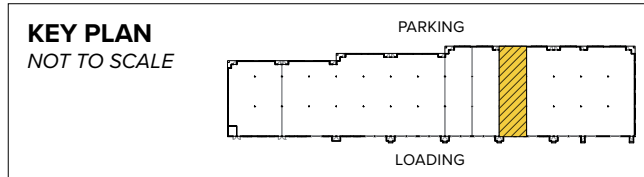


**Total SF Available:**  
3,000 SF





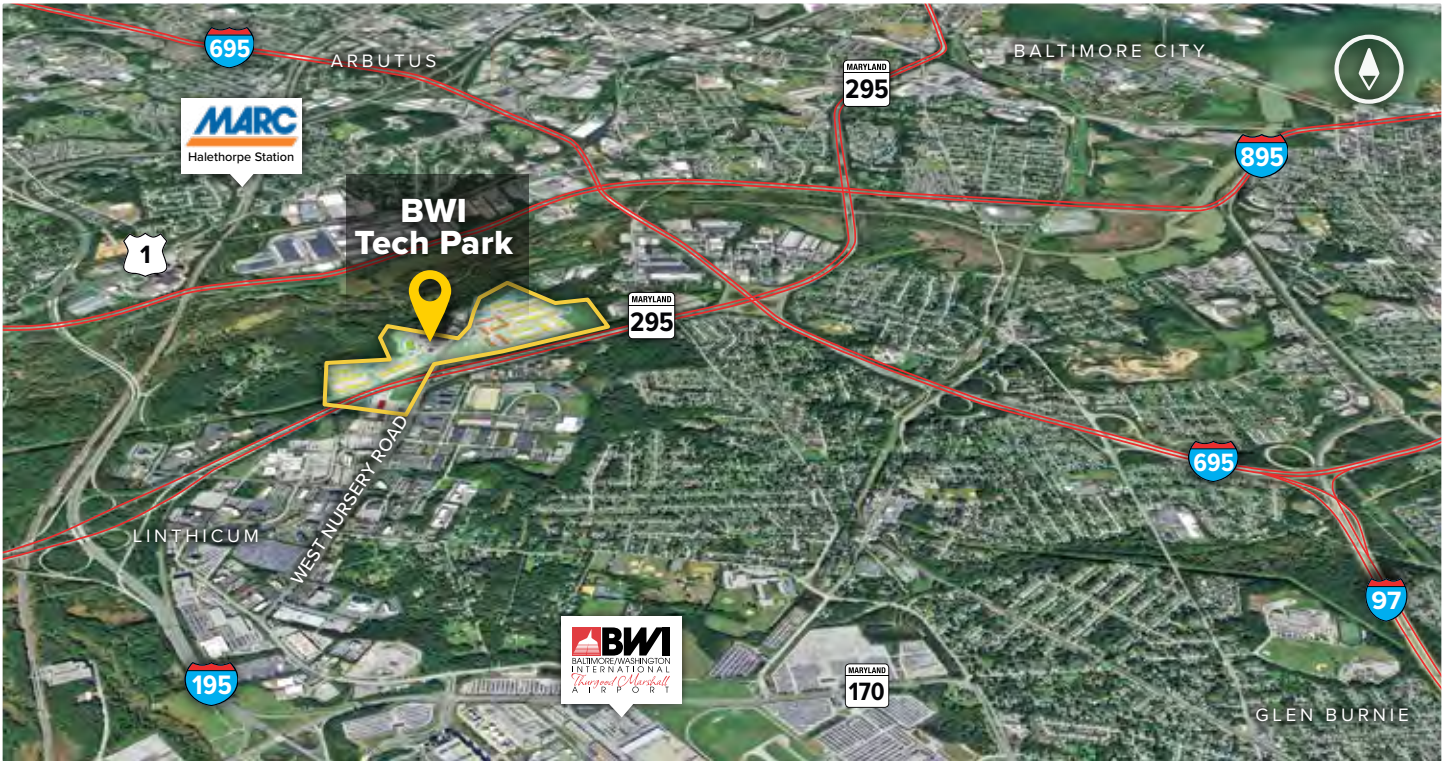
BWI Tech Park contains over 163,250 square feet of single-story office space. Suite sizes range from 2,010 square feet up to 32,400 square feet and offer nine-foot ceiling heights with free, on-site parking. An underground conduit system enables state-of-the-art voice and data connections between buildings, making the site ideal for tenants requiring space in multiple locations.



 **Single-Story Office Space**

Single-Story Office Buildings	
505 Progress Drive	28,800 SF
509 Progress Drive	32,400 SF
601 Global Way	27,670 SF
605 Global Way	23,360 SF
609 Global Way	27,670 SF
613 Global Way	23,360 SF
Single-Story Office Specifications	
Suite Sizes	2,010 up to 32,400 SF
Ceiling Height	9 ft. clear minimum
Offices	Built to suit
Parking	5 spaces per 1,000 SF
Heat	Gas
Roof	EPDM rubber
Exterior Walls	Brick on block
Zoning	W-1





**Distances to:**

- Annapolis, MD (Downtown) ..... 22 miles
- Arundel Mills Mall ..... 4 miles
- Baltimore, MD (Downtown) ..... 8 miles
- BWI Airport ..... 2 miles
- Columbia, MD ..... 12 miles
- Interstate 495 (Capital Beltway) ..... 19 miles
- Interstate 695 (Baltimore Beltway) ..... 3 miles
- MD 100 ..... 4 miles
- MD 295 ..... 0.1 mile



2560 Lord Baltimore Drive  
 Baltimore, MD 21244  
 410.788.0100 | SJPI.COM  
 MD | CO | LA | NV | PA | UT | VA | WI

Connect with us @stjohnprop    



*This information contained in this publication has been obtained from sources believed to be reliable. St. John Properties makes no guarantee, warranty or representation about this information. Any projections, opinions, assumptions or estimates used here are for example only and do not represent the current or future performance of the property. Interested parties should conduct an independent investigation to determine whether the property suits their needs. REV 11/19*

**About St. John Properties**

St. John Properties, Inc. is a full-service real estate company headquartered in Baltimore, Maryland. The company owns, manages and has developed more than 20 million square feet of commercial real estate, including office, flex/R&D, warehouse, retail and residential space.

**For additional leasing information or to schedule a tour, contact:**

**OFFICE/FLEX SPACE**

**Lacey Johansson**  
*Leasing Representative*  
 410.369.1229 | ljohansson@sjpi.com

**Sean Doordan**  
*Senior VP, Leasing & Acquisitions*  
 410.369.1211 | sdoordan@sjpi.com

**RETAIL SPACE**

**Bill Holzman**  
*Vice President, Retail Leasing*  
 410.369.1240 | bholzman@sjpi.com

**Eric Llewellyn**  
*Retail Leasing Representative*  
 443.464.1308 | ellewellyn@sjpi.com